

ADDENDUM NO. 2

WATER SERVICE REPLACEMENT 17/18 – CITY PROJECT NO. C67501713 WILSON – WEBSTER WATER MAIN REPLACEMENT – CITY PROJECT NO. C67401916

July 9, 2018

This Addendum No. 2 modifies the Bidding Documents for the City of Petaluma, Water Service Replacement 17/18 - City Project No. C67501713 Wilson – Webster Water Main Replacement - City Project No. C67401916, and shall become part of the Contract Documents for this Project.

NOTE: Question Q:

Answer A:

PLANS

Q: On sheet C1 the note says to install split service per detail on Sheet D-1, & another note on sheet C-9 saying to install 2” service & manifold per detail on sheet D-1. Details are not found on D1. Could these details be provided?

A: Yes, Sheet D1 page 23 of 23 is amended to include a 1.5” split service detail. See City standard 865 & 885 for 2” manifold service. Amended page D1, Sheet 23 attached.

TECHNICAL SPECIFICATIONS

Q: In specification section 4-510C.1 WATER MAIN it calls for “PVC-C900 Class 200 psi”... Please confirm if you’d like DR18 C900 CL235 (commonly referred to as Class 150) or DR14 C900 CL305 (commonly referred to as Class 200)?

A: Please see the City’s Water System Design Guidelines Sec. B 1.b and refers to AWWA C900. Table 1A specifies pressure class 200 as DR21.

Q: In specification section 4-511D.1 WATER SERVICES it says; “If for any reasons, any of the existing taps cannot be used, the CONTRACTOR shall install stainless steel full circle repair clamps.” If these repair clamps are needed, are they considered an extra?

A: If in the event that the existing taps cannot be used, a full circle clamp shall be install and a new lateral tap installed. This work shall be considered extra work.

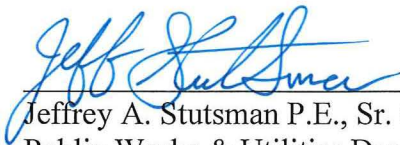
Q: Per spec section 4-511D.3 METER BOXES “All meter boxes & lids located in the streets or driveways, shall be Christy H-20 traffic loading type or equal.” Could you please provide a quantity needed for the traffic rated meter boxes?

A: No quantity will be provided. The bidder is encouraged to make their best assessment when making a site visit.

Q: Under section 4-511F. MEASUREMENT AND PAYMENT in all the Water Service bid item descriptions it says "... installation of inlet and outlet meter valves,..." Petaluma standards do not call for a meter valve on the outlet side of the meters, they just show a meter spud and/or flange. Please confirm we are to bid per Petaluma City Standards & no outlet meter valves are needed?

A: No outlet meter valves are needed.

All other items of the documents shall remain unchanged. **A signed copy of this Addendum and the attached acknowledgement form shall be attached to the bid proposal. Failure to do so may cause rejection of your bid as being non-responsive.**



Jeffrey A. Stutsman P.E., Sr. Civil Engineer
Public Works & Utilities Department

**WATER SERVICE REPLACEMENT 17/18 - CITY PROJECT NO. C67501713
WILSON – WEBSTER WATER MAIN REPLACEMENT - CITY PROJECT NO.
C67401916**

ACKNOWLEDGEMENT

Receipt of Addendum No. 2 is hereby acknowledged by _____
(Contractor's Name)
on the _____ day of _____, 2018.

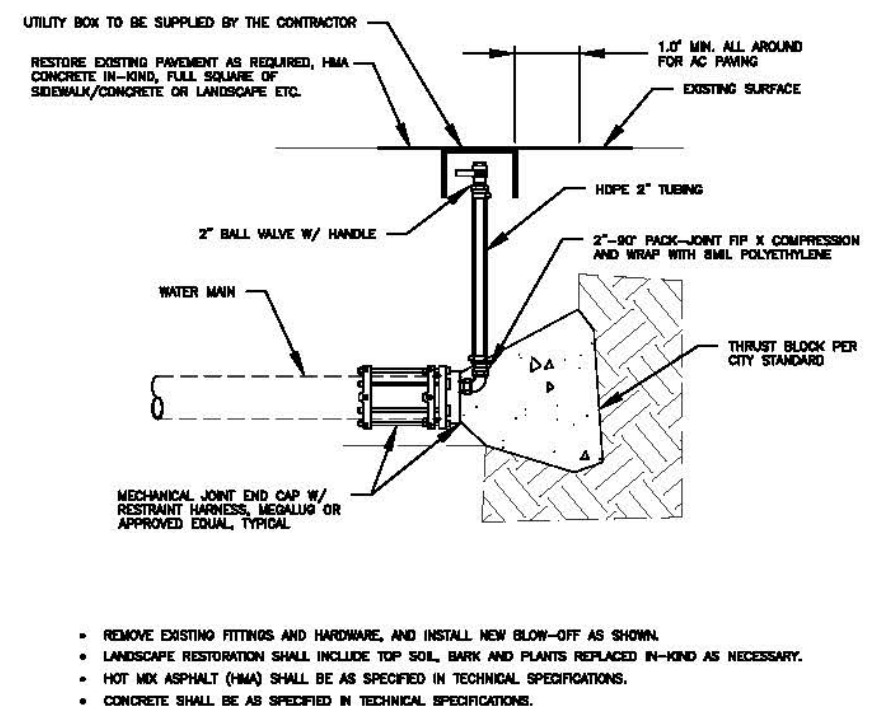
By: _____
Signature

Title

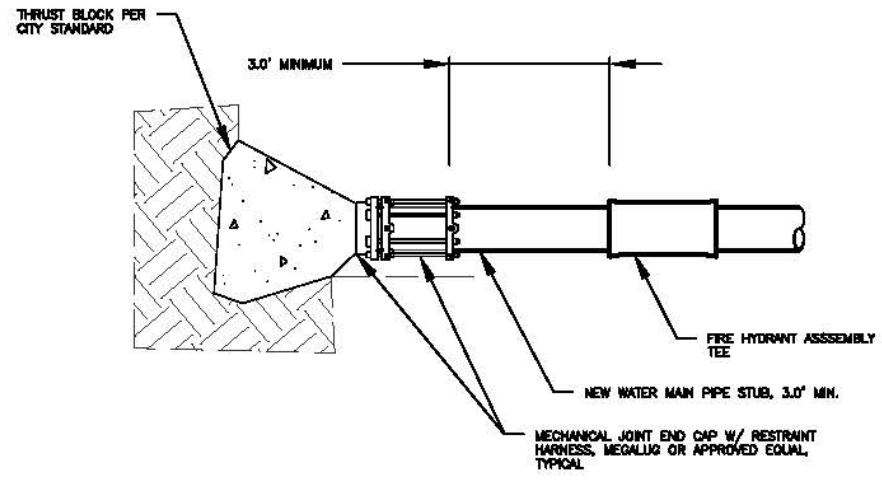
Company Name

S:\CP\Projects\Water Service Repl 17-18\17-18.dwg, 7/9/2018 12:01:54 PM, Adobe PDF

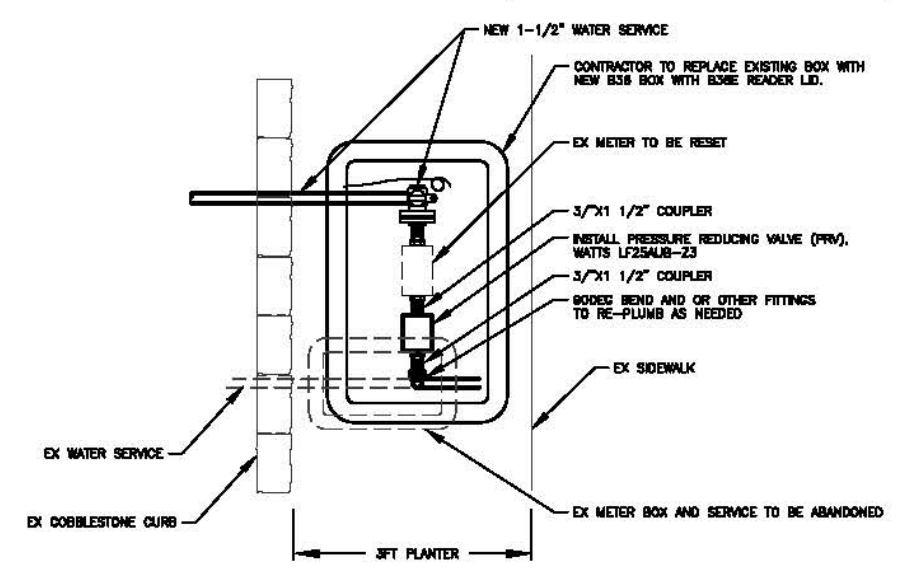
ATTACHMENT 1 ADDENDUM 2



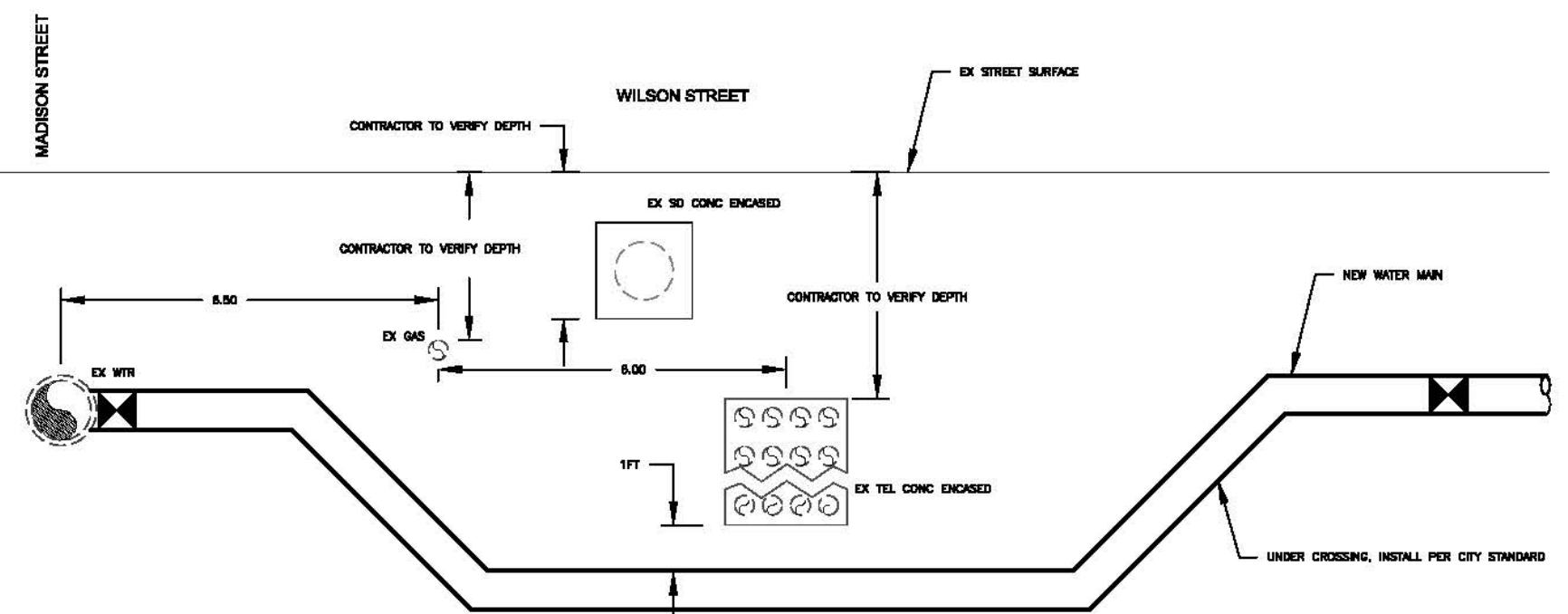
DETAIL 1 VAR 2" BLOW-OFF END OF LINE



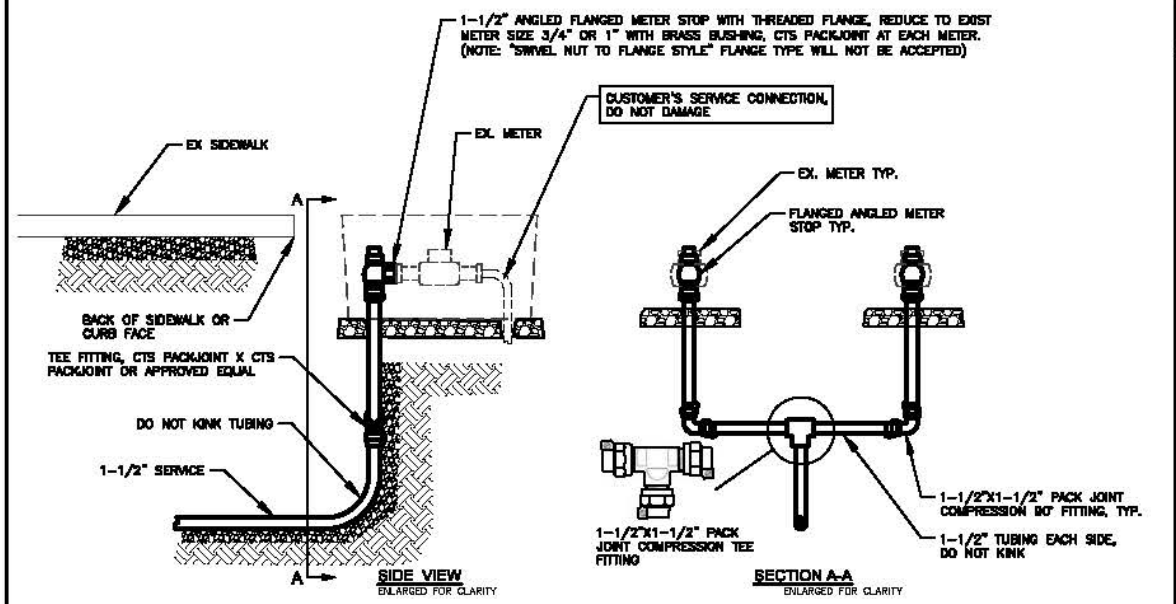
DETAIL 2 C19 END OF LINE END CAP



DETAIL 3 C19 PRESSURE REDUCER VALVE



DETAIL 4 C18 ANTICIPATED UNDERCROSSING WILSON ST. AT MADISON ST.



DETAIL 5 VAR 1.5" SPLIT SERVICE

DATE: JUNE, 2018
DESIGNED BY: DL
DRAWN BY: JDL
CHECKED BY: JAB/RRC

PROJECT NO. 067501713 & 067401918

CITY OF PETALUMA
PUBLIC WORKS & UTILITIES
202 N. McDowell Blvd., PETALUMA, CALIFORNIA, 94954
PH. 707-778-4548 FAX. 707-778-4808

WATER SERVICE REPLACE PROJECT 17-18

SECTIONS AND DETAILS

SHEET D1
23 OF 23